



## ***Sensori di livello acqua e carburante*** **Fuel and water level sensors**

Sensori tubolari di nuova generazione completamente stagni realizzati in acciaio inossidabile utilizzabili per monitorare, in maniera stabile ed accurata, il livello di qualsiasi tipo di liquido dal carburante all'acqua.

*New generation tubular sensors, made from stainless steel, are completely water tight and enable stable and accurate monitoring of any type of liquid levels, from water to fuel.*



Tensione nominale: da 6V a 24V  
*Nominal operating voltage: from 6V to 24V*

Valori ohmici:  
Standard europeo 0 $\Omega$  (vuoto) a 180 $\Omega$  (pieno)  
serie ES-224-011-XXXX  
Standard USA 240 $\Omega$  (vuoto) a 30 $\Omega$  (pieno)  
serie ES-224-012-XXXX

*Ohm Values:*  
European standard 0 $\Omega$  (empty) to 180 $\Omega$  (full)  
series ES-224-011-XXXX  
USA standard 240 $\Omega$  (empty) a 30 $\Omega$  (full)  
series ES-224-012-XXXX

Lunghezza: da 150mm a 1000mm (\*)  
*Length: from 150mm to 1000mm (#)*

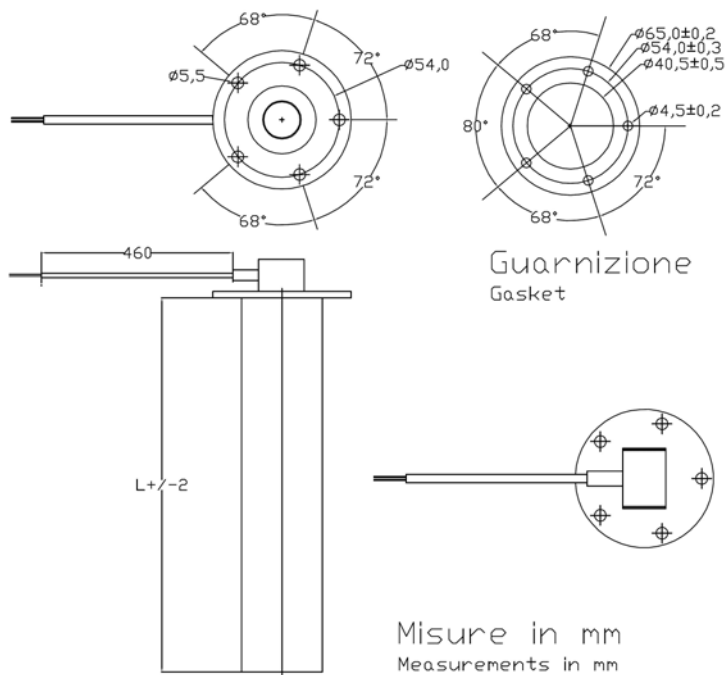
Temperature di funzionamento: -30°C a +70°C  
*Operating temperatures: -30°C a +70°C*

Materiale: AISI 316  
*Material: AISI 316*

(\*) Disponibile anche in lunghezze fino a 2000mm nella versione senza carter esterno  
(#) Version without oil sump also available in various sizes up to 2000mm

TABELLA RIASSUNTIVA MISURE / SUMMARY OF MEASUREMENTS TABLE Standard USA / USA standard		
Codice Articolo / Part Number	Valore $\Omega$ / $\Omega$ Value	L mm
ES-224-011-0150	0-180	150 MM
ES-224-011-0150	0-180	150 MM
ES-224-011-0160	0-180	160 MM
ES-224-011-0170	0-180	170 MM
ES-224-011-0175	0-180	175 MM
ES-224-011-0180	0-180	180 MM
ES-224-011-0190	0-180	190 MM
ES-224-011-0200	0-180	200 MM
ES-224-011-0210	0-180	210 MM
ES-224-011-0220	0-180	220 MM
ES-224-011-0225	0-180	225 MM
ES-224-011-0230	0-180	230 MM
ES-224-011-0230	0-180	230 MM
ES-224-011-0250	0-180	250 MM
ES-224-011-0250	0-180	250 MM
ES-224-011-0275	0-180	275 MM
ES-224-011-0280	0-180	280 MM
ES-224-011-0280	0-180	280 MM
ES-224-011-0300	0-180	300 MM
ES-224-011-0310	0-180	310 MM
ES-224-011-0310	0-180	310 MM
ES-224-011-0330	0-180	330 MM
ES-224-011-0330	0-180	330 MM
ES-224-011-0350	0-180	350 MM
ES-224-011-0350	0-180	350 MM
ES-224-011-0400	0-180	400 MM
ES-224-011-0400	0-180	400 MM
ES-224-011-0450	0-180	450 MM
ES-224-011-0450	0-180	450 MM
ES-224-011-0500	0-180	500 MM
ES-224-011-0550	0-180	550 MM
ES-224-011-0550	0-180	550 MM
ES-224-011-0600	0-180	600 MM
ES-224-011-0650	0-180	650 MM
ES-224-011-0650	0-180	650 MM
ES-224-011-0700	0-180	700 MM
ES-224-011-0750	0-180	750 MM
ES-224-011-0750	0-180	750 MM
ES-224-011-0800	0-180	800 MM
ES-224-011-0850	0-180	850 MM
ES-224-011-0850	0-180	850 MM
ES-224-011-0900	0-180	900 MM
ES-224-011-0950	0-180	950 MM
ES-224-011-1000	0-180	1000 MM

TABELLA RIASSUNTIVA MISURE / SUMMARY OF MEASUREMENTS TABLE Standard europeo / European standard		
Codice Articolo / Part Number	Valore $\Omega$ / $\Omega$ Value	L mm
ES-224-012-0150	240-30	150 MM
ES-224-012-0160	240-30	160 MM
ES-224-012-0170	240-30	170 MM
ES-224-012-0175	240-30	175 MM
ES-224-012-0180	240-30	180 MM
ES-224-012-0190	240-30	190 MM
ES-224-012-0200	240-30	200 MM
ES-224-012-0210	240-30	210 MM
ES-224-012-0220	240-30	220 MM
ES-224-012-0225	240-30	225 MM
ES-224-012-0230	240-30	230 MM
ES-224-012-0250	240-30	250 MM
ES-224-012-0275	240-30	275 MM
ES-224-012-0280	240-30	280 MM
ES-224-012-0300	240-30	300 MM
ES-224-012-0310	240-30	310 MM
ES-224-012-0330	240-30	330 MM
ES-224-012-0350	240-30	350 MM
ES-224-012-0400	240-30	400 MM
ES-224-012-0450	240-30	450 MM
ES-224-012-0500	240-30	500 MM
ES-224-012-0550	240-30	550 MM
ES-224-012-0600	240-30	600 MM
ES-224-012-0650	240-30	650 MM
ES-224-012-0700	240-30	700 MM
ES-224-012-0750	240-30	750 MM
ES-224-012-0800	240-30	800 MM
ES-224-012-0850	240-30	850 MM
ES-224-012-0900	240-30	900 MM
ES-224-012-0950	240-30	950 MM
ITA-224-012-1000	240-30	1000 MM



Per un perfetto funzionamento si consiglia l'utilizzo con gli strumenti VDO  
 For maximum performance this product is recommended to be used with VDO instruments.



### Indicatori serie ViewLine ViewLine gauge series



Livello carburante  $\varnothing$  52mm Fuel level gauge  $\varnothing$  52mm

Livello acque chiare  $\varnothing$  52mm Fresh water gauge  $\varnothing$  52mm

Nautici Marine

Nautici Marine

Colore quadrante Dial Colour	Scritta Scale	Input $\Omega$	Codice Articolo Part Number
Nero Black	0----1/1 E----F	3-180	A2C60100137
	E----F	240-30	A2C60100140
Bianco White	0----1/1 E----F	0-180	A2C60100143
	E----F	240-30	A2C60100145

Colore quadrante Dial Colour	Scritta Scale	Input $\Omega$	Codice Articolo Part Number
Nero Black	0----1/1 E----F	3-180	A2C60100148
	E----F	3-180	A2C60100149
Bianco White	0----1/1 E----F	3-180	A2C60100150
	E----F	3-180	A2C60100326

Industriali Industrial

Nero Black	0----1/1 E----F	3-180	A2C60100126
	E----F	240-30	A2C60100129
Bianco White	0----1/1 E----F	0-180	A2C60100132
	E----F	240-30	A2C60100134



**Continental**

Siemens VDO Trading S.r.l.  
 A company of the Continental Corporation  
 Via Vialba, 50  
 20026 Novate Milanese (MI)  
 Info.soem@continental-corporation.com